

AURORALIGHT

PROJECT: _____

SKU #: _____

TYPE: _____

COMPASS

IGR030202

The Compass is based on the award-winning micro well light design. It will provide subtle illumination on drives, walks, and pathways.

- Thermally Integrated® w/ Copper Core Technology®
- Cree LED™ XLAMP® (XP-L)
- Drive-Over rated for up to 6000lbs.
- Ideal for driveways, wide pathways & walkways



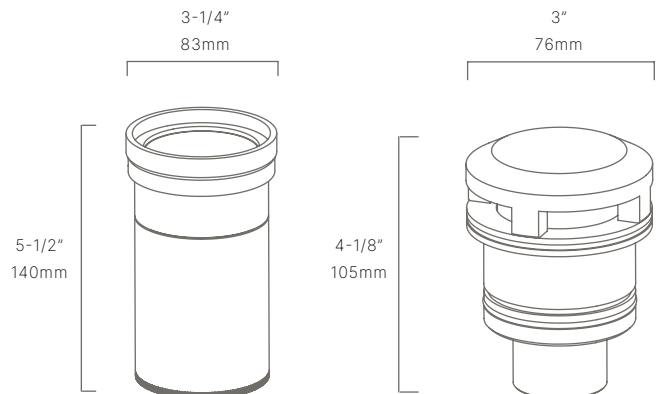
CONFIGURATOR:

IGR030202	LED	FINISH
	<input type="text"/>	<input type="text"/>
() = Most common configuration	(2703) 2700K 3W (3003) 3000K 3W	(NAT) Natural Brass (BLP) Bronze Living Patina (BLPX) Extra Dark BLP (NI) Nickel PVD

AVAILABLE FINISHES:



FIXTURE DIMENSIONS	D3" x H4-1/8"
LIGHT SOURCE	Integrated LED
COLOR TEMPERATURES	2700K, 3000K
WATTAGES	3W
CRI (RA)	80 CRI
VOLTAGE	12V
DELIVERED LUMENS	17lm (3000K)
DIMMABLE	Yes, Dim to <10% via Transformer
DRIVER	Yes, 12V Integral Constant Current
TRANSFORMER	12V AC/DC (Supplied by others)
MOUNT	Included PJB782303
BEAM SPREAD	270°
FINISH	Included Natural Brass
MATERIAL	Brass
WIRE LENGTH	24"
LOCATION	Interior & Exterior Wet
CERTIFICATIONS	UL, IP66, IP67, Drive Over



*For complete warranty terms, please visit: www.auroralight.com/warranty/

P. 760.931.2910

O. 2742 Loker Ave. W Carlsbad CA 92010

W. www.auroralight.com

MADE IN USA
WITH DOMESTIC & IMPORTED MATERIALS



AURORALIGHT

PROJECT: _____

SKU #: _____

TYPE: _____

ADD-ONS

MOUNTS

MCH004103	3" Aluminum Conduit Hub
MCH004203	3" Brass Conduit Hub
STB005	Stabalizer Fin

*For complete details, please visit auroralight.com/mounts/

MOUNTS



P. 760.931.2910

O. 2742 Loker Ave. W Carlsbad CA 92010

W. www.auroralight.com

MADE IN USA
WITH DOMESTIC & IMPORTED MATERIALS

